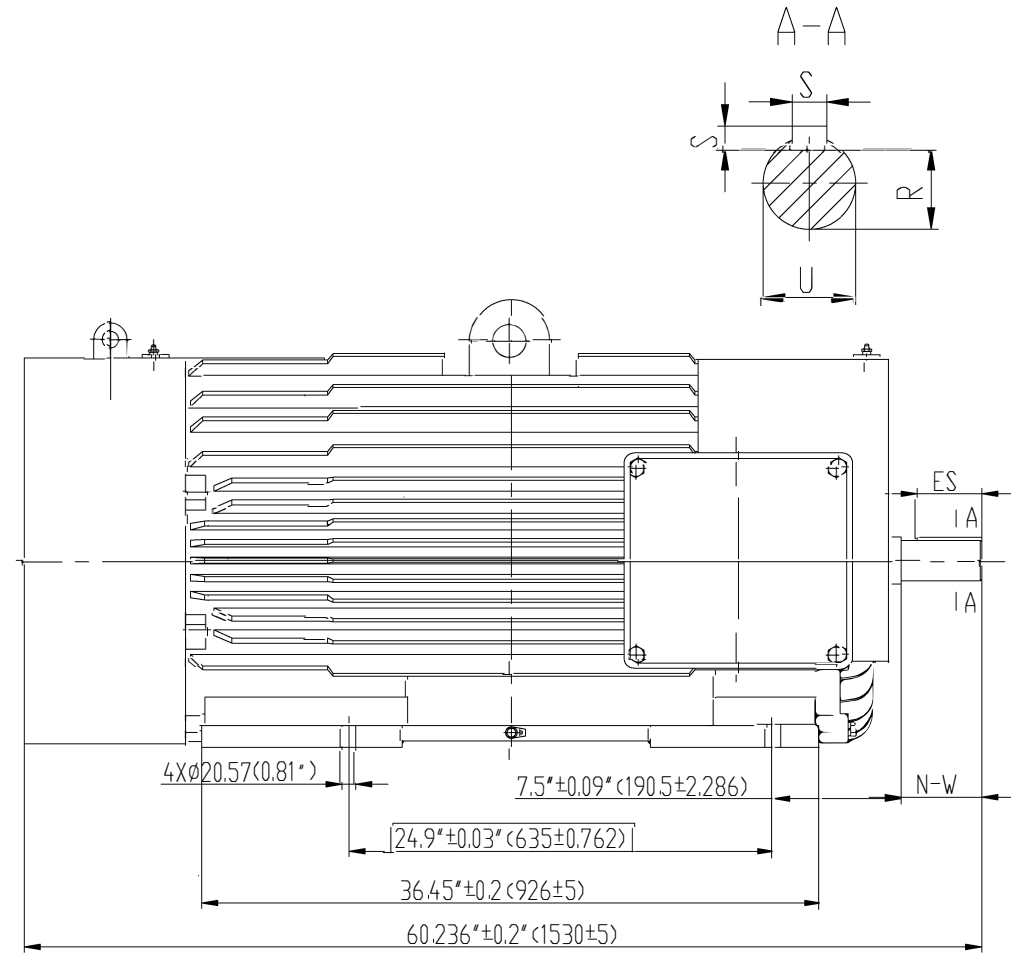
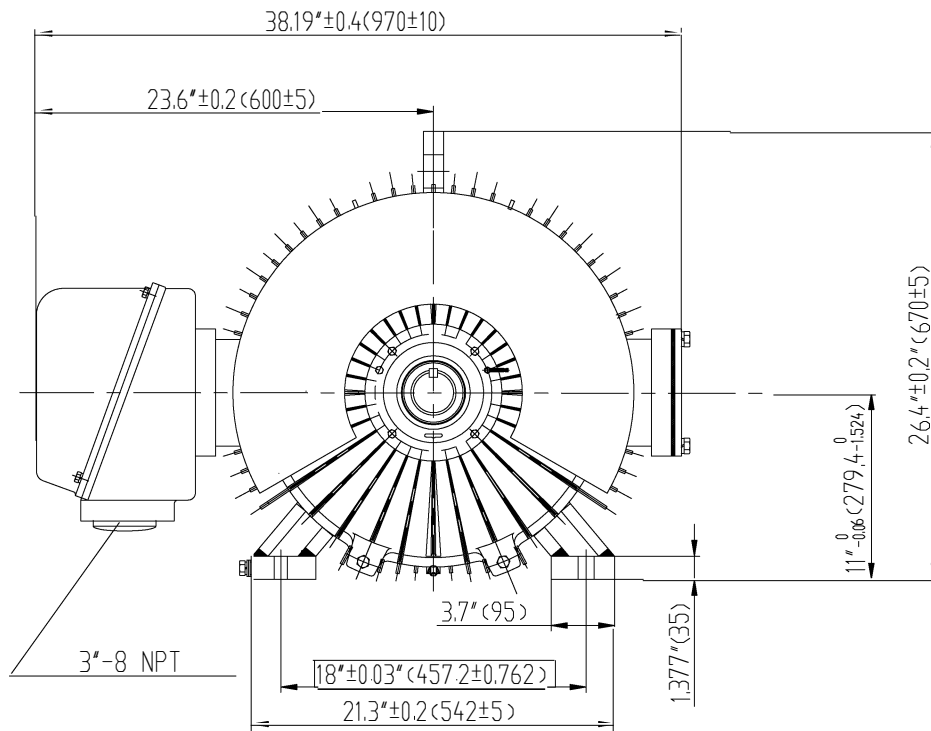


1AP.050.0561.7



Type	U	R	S	N-W	ES
NSHE449T-4 300HP 460V 60Hz	ø85.725 (3.375")	73.152 (2.88")	22.225 (0.875")	215.9 (8.5")	176 (6.93")

unit : inch (mm)

				AP.050.0561.7WX	
				WEIGHT	SCALE
				1:8	
L.E.T. REVISION BY DATE DESIGN Meng Lei CHECK Ren Xiaohua APPROVE Yu Jiabin DATE 20210422				NSHE449T-4 300HP 460V 60Hz F-1	
				BROOK CROMPTON	